

PRELIMINARY SITE CONSTRUCTION PLANS

FOR

PLYMOUTH CREEK REPAIR

PLYMOUTH, MN

CERTIFICATION:
I HEREBY CERTIFY THAT THIS PLAN, SPECIFICATION, OR REPORT WAS PREPARED BY ME OR UNDER MY DIRECT SUPERVISION AND THAT I AM A DULY LICENSED PROFESSIONAL ENGINEER UNDER THE LAWS OF THE STATE OF MINNESOTA.

LICENSE NO.:
DATE:

SUB CONSULTANT:

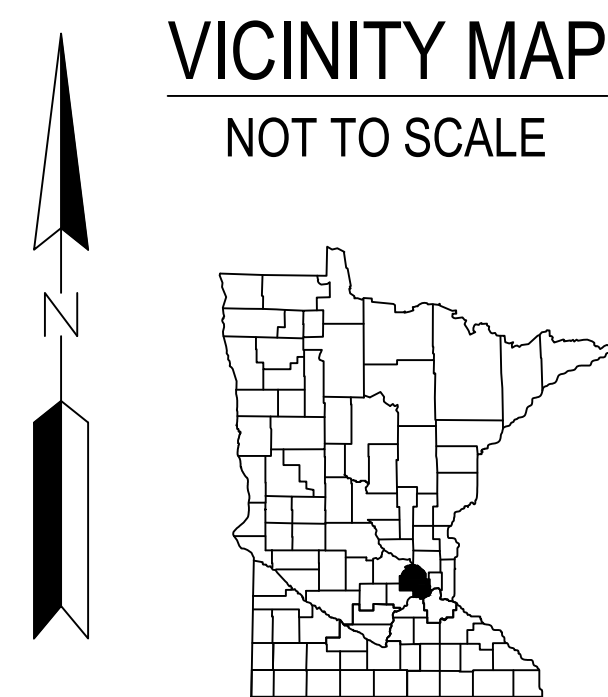
ISSUE NO.	DESCRIPTION	DATE
1	60% PLAN SET	08/17/2022
2	90% PLAN SET	09/28/2022

Sheet List Table	
Sheet Number	Sheet Title
G-101	COVER SHEET
G-102	GENERAL NOTES
C-101	SITE ACCESS PLAN
C-102	SITE PLAN
C-201	CHANNEL CROSS SECTIONS
C-801	DETAILS
C-802	DETAILS
C-803	DETAILS
C-804	DETAILS

Project Team

CITY OF PLYMOUTH
BEN SCHAREN BROICH - WATER RESOURCES SUPERVISOR
3400 PLYMOUTH BLVD
PLYMOUTH, MN 55447
PHONE - (763) 509-5527

LANDSCAPE ARCHITECT:
MIDWEST WETLAND IMPROVEMENTS, LLC
LUCIUS JONETT, PLA
P.O. BOX 448
VICTORIA, MN 55386
CELL - (952) 261-9990



PROJECT LOCATION
CITY: PLYMOUTH
COUNTY: HENNEPIN

PLYMOUTH CREEK REPAIR
12615 24TH AVE N & 12621 24TH AVE N
PLYMOUTH, MN 55441

CLIENT:



3400 PLYMOUTH BLVD
PLYMOUTH, MN 55447
PHONE: 763-509-5000
WWW.PLYMOUTHMN.COM

PROJECT NO.: 0017-01

DWN BY: PAG CHKD BY: LNJ APPD BY: LNJ

ISSUE DATE: 09/28/2022

ISSUE NO.: 2

SHEET TITLE:

COVER SHEET

SHEET NO.:

G-101

DATE	DESCRIPTION	ISSUE NO.
08/17/2022	60% PLAN SET	1
09/28/2022	90% PLAN SET	2

PLYMOUTH CREEK REPAIR
12615 24TH AVE N & 12621 24TH AVE N
PLYMOUTH, MN 55441

PROJECT TITLE:

CLIENT:



3400 PLYMOUTH BLVD
PLYMOUTH, MN 55447
PHONE: 763-509-5000
WWW.PLYMOUTHMN.COM

PROJECT NO.: 0017-01

DWN BY: PAG CHKD BY: LNJ APP'D BY: LNJ

ISSUE DATE: 09/28/2022

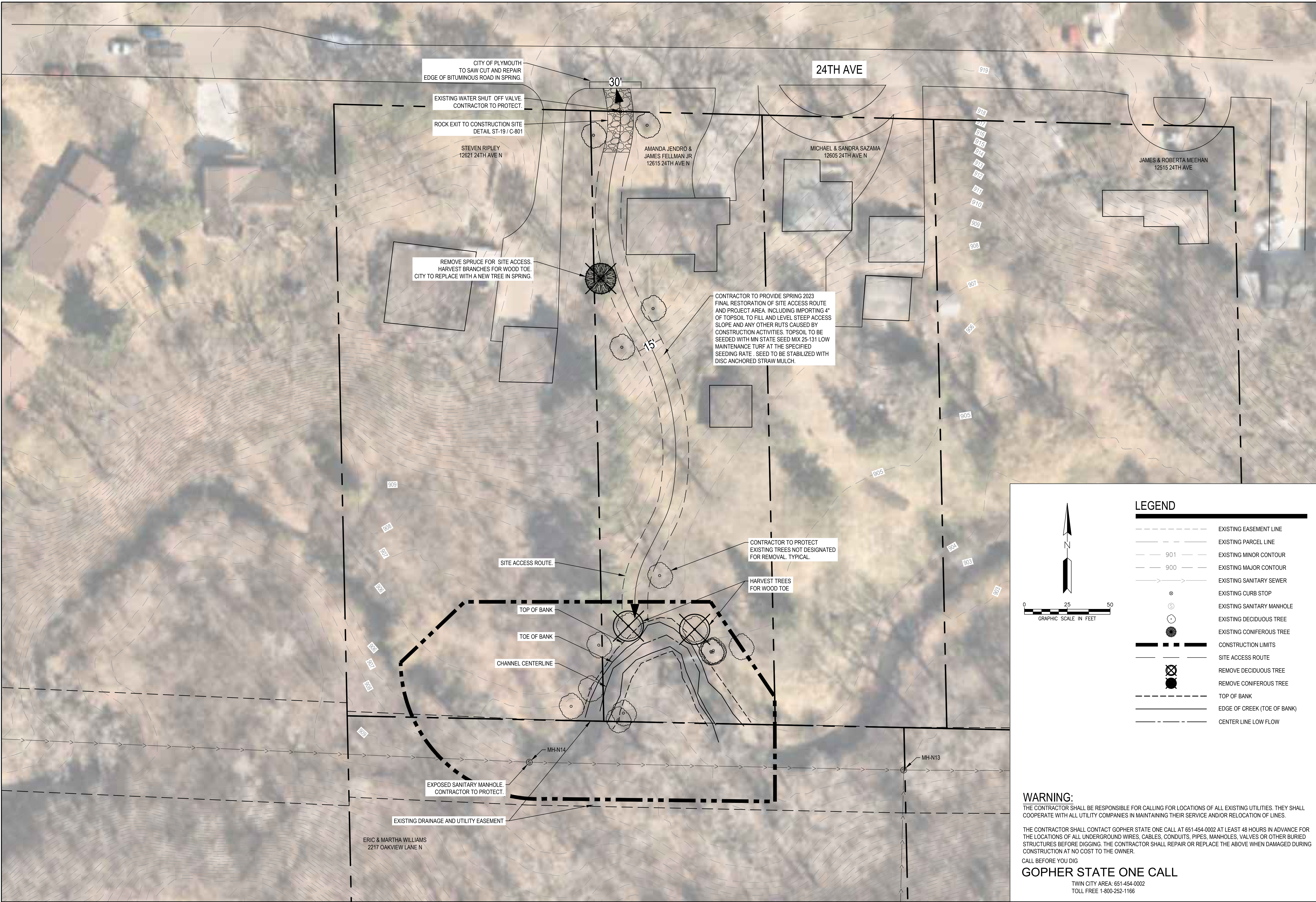
ISSUE NO.: 2

SHEET TITLE:

SITE ACCESS PLAN

SHEET NO.:

C-101



LEGEND

- EXISTING EASEMENT LINE
- EXISTING PARCEL LINE
- 901 EXISTING MINOR CONTOUR
- 900 EXISTING MAJOR CONTOUR
- EXISTING SANITARY SEWER
- EXISTING CURB STOP
- EXISTING SANITARY MANHOLE
- EXISTING DECIDUOUS TREE
- EXISTING CONIFEROUS TREE
- CONSTRUCTION LIMITS
- SITE ACCESS ROUTE
- ⊗ REMOVE DECIDUOUS TREE
- ⊗ REMOVE CONIFEROUS TREE
- TOP OF BANK
- EDGE OF CREEK (TOE OF BANK)
- CENTER LINE LOW FLOW

WARNING:
THE CONTRACTOR SHALL BE RESPONSIBLE FOR CALLING FOR LOCATIONS OF ALL EXISTING UTILITIES. THEY SHALL COOPERATE WITH ALL UTILITY COMPANIES IN MAINTAINING THEIR SERVICE AND/OR RELOCATION OF LINES.

THE CONTRACTOR SHALL CONTACT GOPHER STATE ONE CALL AT 651-454-0002 AT LEAST 48 HOURS IN ADVANCE FOR THE LOCATIONS OF ALL UNDERGROUND WIRES, CABLES, CONDUITS, PIPES, MANHOLES, VALVES OR OTHER BURIED STRUCTURES BEFORE DIGGING. THE CONTRACTOR SHALL REPAIR OR REPLACE THE ABOVE WHEN DAMAGED DURING CONSTRUCTION AT NO COST TO THE OWNER.

CALL BEFORE YOU DIG
GOPHER STATE ONE CALL
TWIN CITY AREA: 651-454-0002
TOLL FREE 1-800-252-1166

DATE	DESCRIPTION	ISSUE NO.
08/17/2022	60% PLAN SET	1
09/28/2022	90% PLAN SET	2

PLYMOUTH CREEK REPAIR
12615 24TH AVE N & 12621 24TH AVE N
PLYMOUTH, MN 55441

PROJECT TITLE:

CLIENT:



3400 PLYMOUTH BLVD
PLYMOUTH, MN 55447
PHONE: 763-509-5000
WWW.PLYMOUTHMN.COM

PROJECT NO.: 0017-01

DWN BY: PAG CHKD BY: LNJ APPD BY: LNJ

ISSUE DATE: 09/28/2022

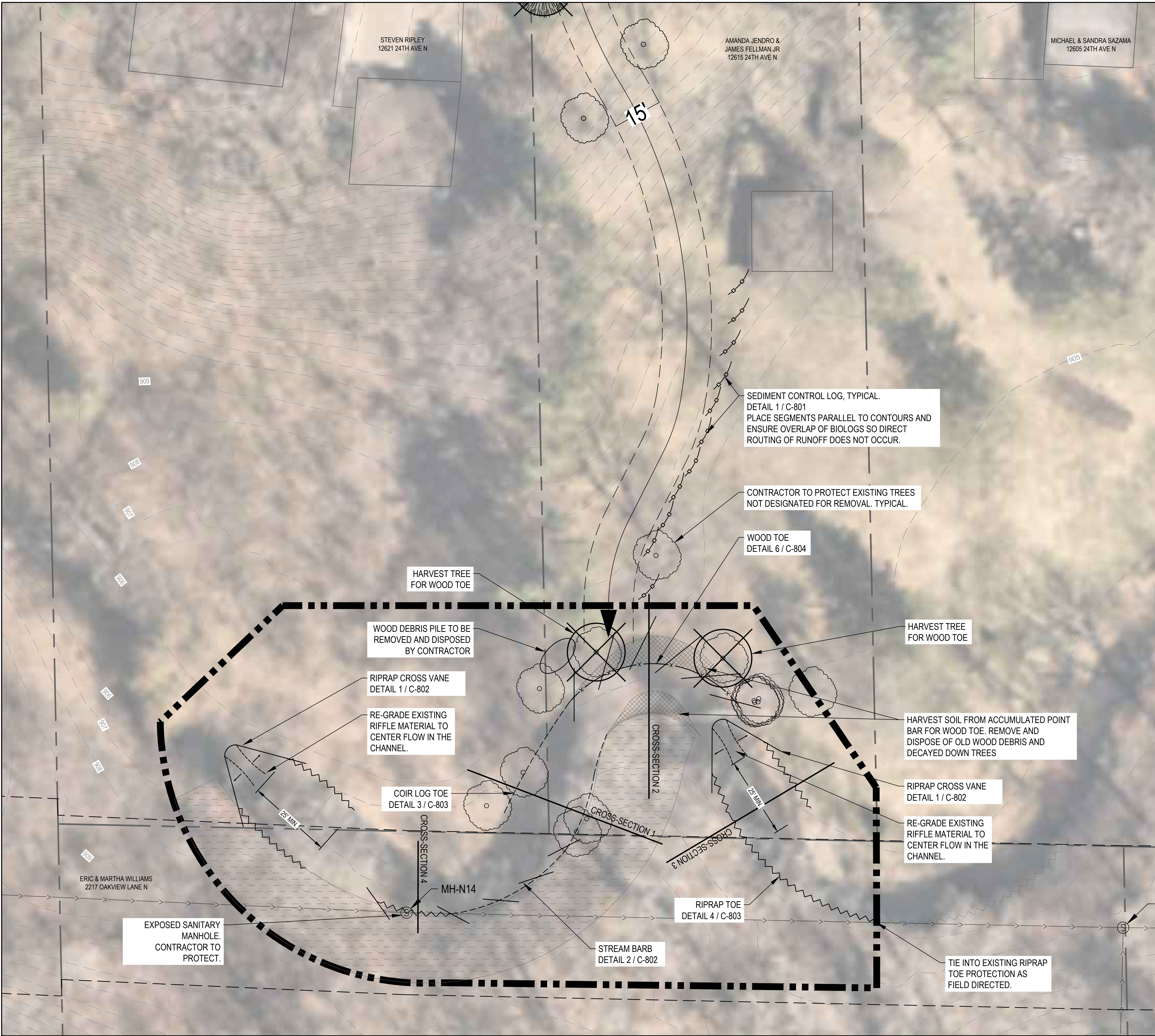
ISSUE NO.: 2

SHEET TITLE:

SITE PLAN

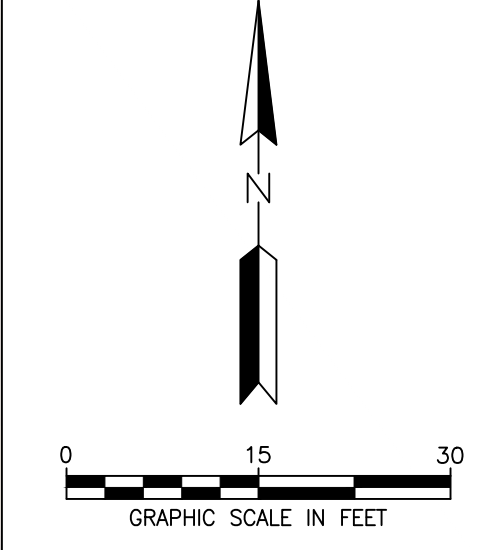
SHEET NO.:

C-102



LEGEND

- EXISTING EASEMENT LINE
- EXISTING PARCEL LINE
- 901 --- EXISTING MINOR CONTOUR
- 900 --- EXISTING MAJOR CONTOUR
- EXISTING SANITARY SEWER
- EXISTING CURB STOP
- EXISTING SANITARY MANHOLE
- EXISTING DECIDUOUS TREE
- EXISTING CONIFEROUS TREE
- CONSTRUCTION LIMITS
- SITE ACCESS ROUTE
- REMOVE DECIDUOUS TREE
- REMOVE CONIFEROUS TREE
- COIR LOG TOE & RE-GRADE BANK
- RIPRAP TOE
- WOOD TOE
- SEDIMENT CONTROL LOG
- BUCKTHORN REMOVAL & TREATMENT



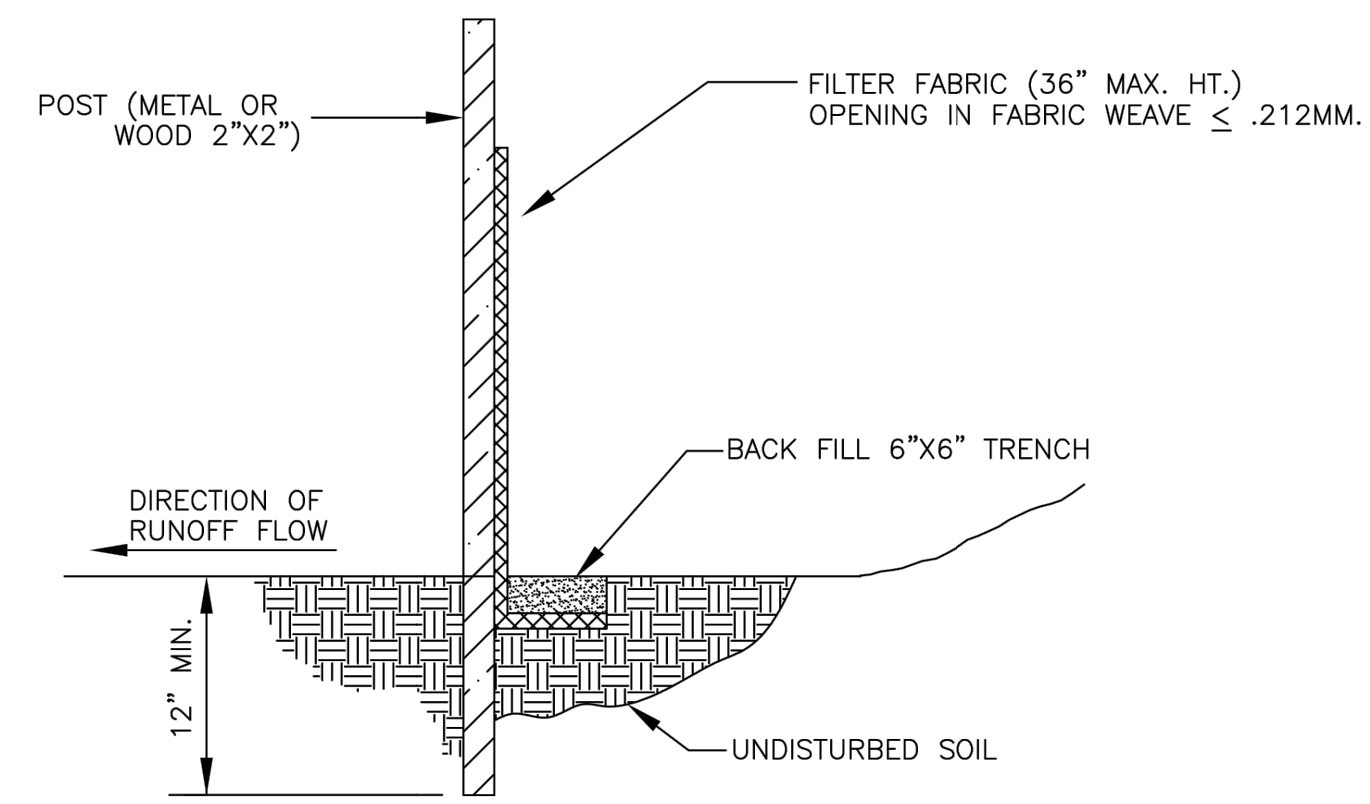
WARNING:
THE CONTRACTOR SHALL BE RESPONSIBLE FOR CALLING FOR LOCATIONS OF ALL EXISTING UTILITIES. THEY SHALL COOPERATE WITH ALL UTILITY COMPANIES IN MAINTAINING THEIR SERVICE AND/OR RELOCATION OF LINES.

THE CONTRACTOR SHALL CONTACT GOPHER STATE ONE CALL AT 651-454-0002 AT LEAST 48 HOURS IN ADVANCE FOR THE LOCATIONS OF ALL UNDERGROUND WIRES, CABLES, CONDUITS, PIPES, MANHOLES, VALVES OR OTHER BURIED STRUCTURES BEFORE DIGGING. THE CONTRACTOR SHALL REPAIR OR REPLACE THE ABOVE WHEN DAMAGED DURING CONSTRUCTION AT NO COST TO THE OWNER.

CALL BEFORE YOU DIG
GOPHER STATE ONE CALL
TWIN CITY AREA: 651-454-0002
TOLL FREE 1-800-252-1166

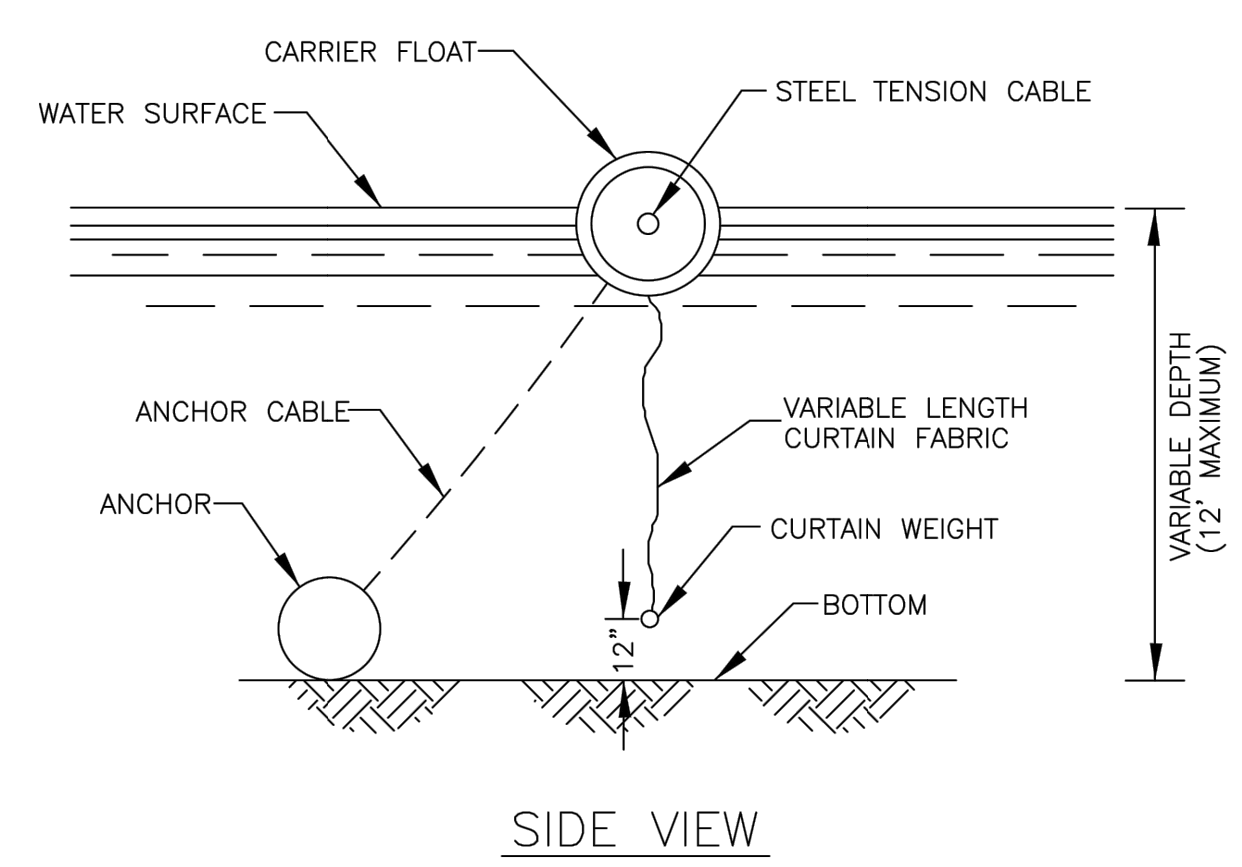
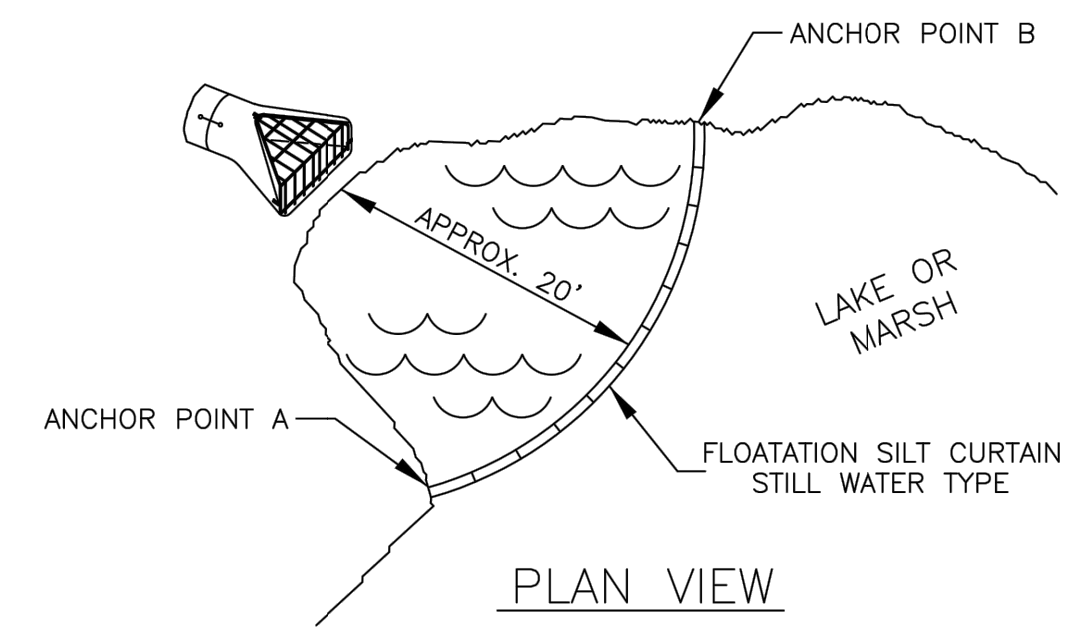
NOTES:

1. DIG A 6"x6" TRENCH ALONG THE INTENDED FENCE LINE.
2. DRIVE ALL POSTS INTO THE GROUND AT THE DOWNHILL SIDE OF THE TRENCH.
3. LAY OUT SILT FENCE ON THE UPHILL SIDE ALONG THE FENCE LINE, AND BACK FILL.
4. WOOD POSTS MAY BE SPACED UP TO 5 FEET APART. STEEL POSTS MAY BE SPACED UP TO 6 FEET APART
5. REMOVE SILT FENCE AFTER TURF IS ESTABLISHED.



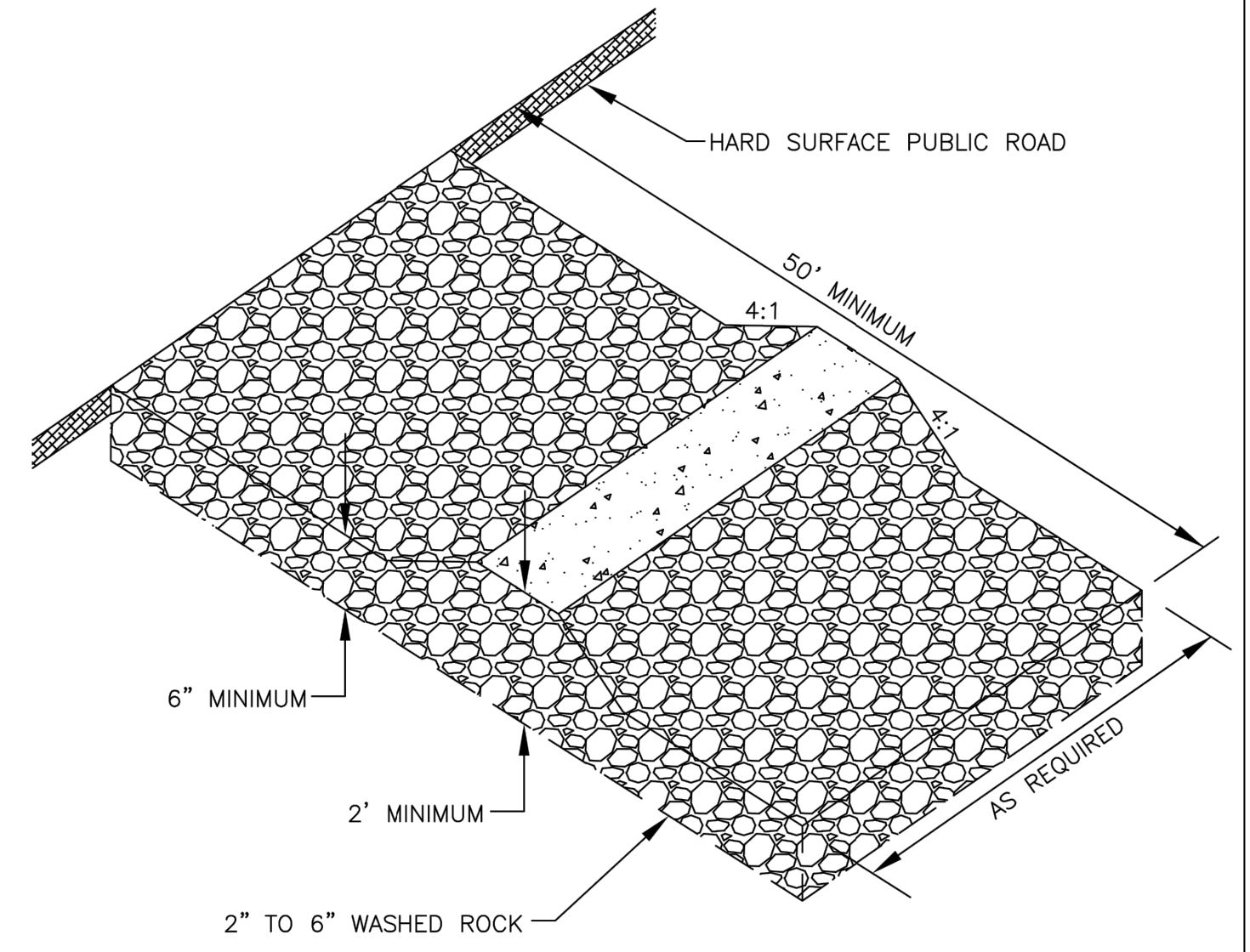
STANDARD DETAILS
SILT FENCE DETAIL
CITY OF PLYMOUTH

PUBLISHED 1-22
CITY PL. NO. ST-18
REVISED 1-20



STANDARD DETAILS
FLOATATION SILT CURTAIN DETAIL
CITY OF PLYMOUTH

PUBLISHED 1-22
CITY PL. NO. ST-17
REVISED 3-16

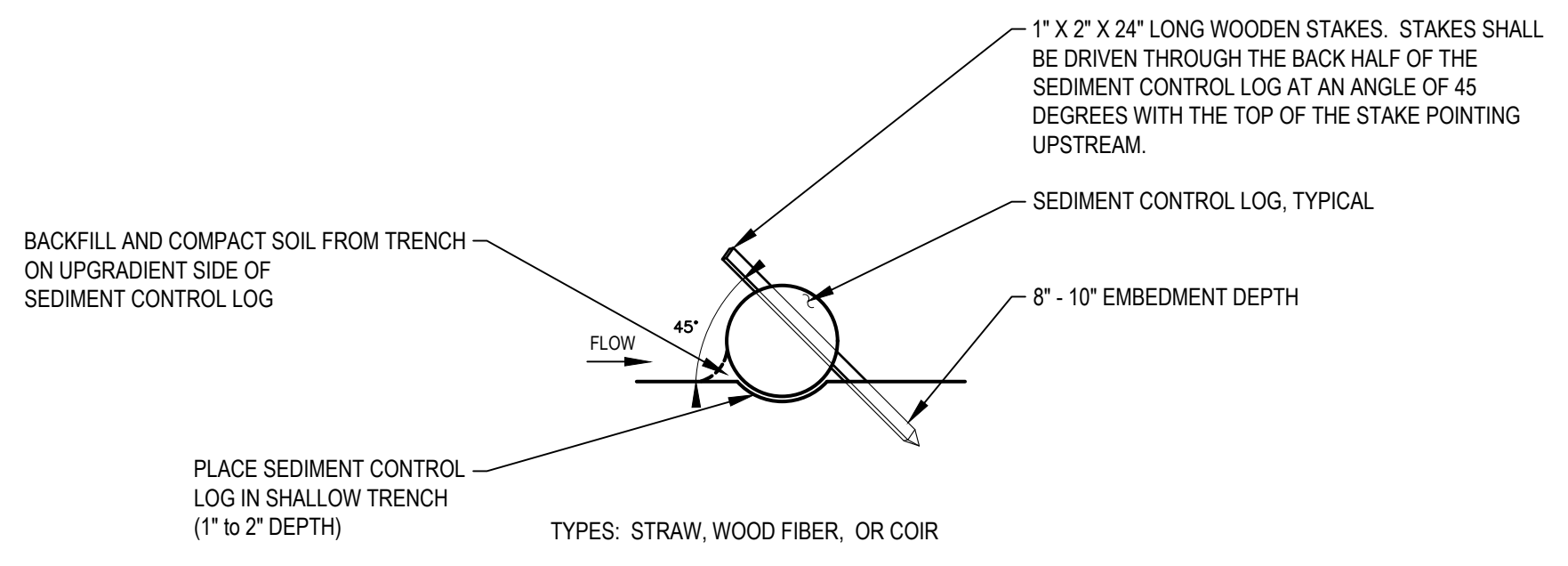


NOTES:
ROCK SHOULD BE 2" TO 6" IN SIZE SUCH AS WASHED ROCK OR CRUSHED CONCRETE
A GEOTEXTILE FABRIC MAY BE USED UNDER THE ROCK TO PREVENT MIGRATION OF THE UNDERLYING SOIL INTO THE STONE.

STANDARD DETAILS
ROCK EXIT TO CONSTRUCTION SITE
CITY OF PLYMOUTH

PUBLISHED 1-22
CITY PL. NO. ST-19
REVISED 1-20

NOTE: OVERLAP ADJACENT LOGS A MINIMUM OF 12"



1
C-801 SEDIMENT CONTROL LOGS

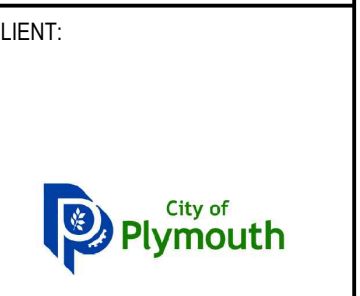
CERTIFICATION:
I HEREBY CERTIFY THAT THIS PLAN, SPECIFICATION, OR REPORT WAS PREPARED BY ME OR UNDER MY DIRECT SUPERVISION AND THAT I AM A DULY LICENSED PROFESSIONAL ENGINEER UNDER THE LAWS OF THE STATE OF MINNESOTA.

LICENSE NO.:
DATE:

SUB CONSULTANT:

ISSUE NO.	DESCRIPTION	DATE
1	60% PLAN SET	08/17/2022
2	90% PLAN SET	09/28/2022

PLYMOUTH CREEK REPAIR
12615 24TH AVE N & 12621 24TH AVE N
PLYMOUTH, MN 55441

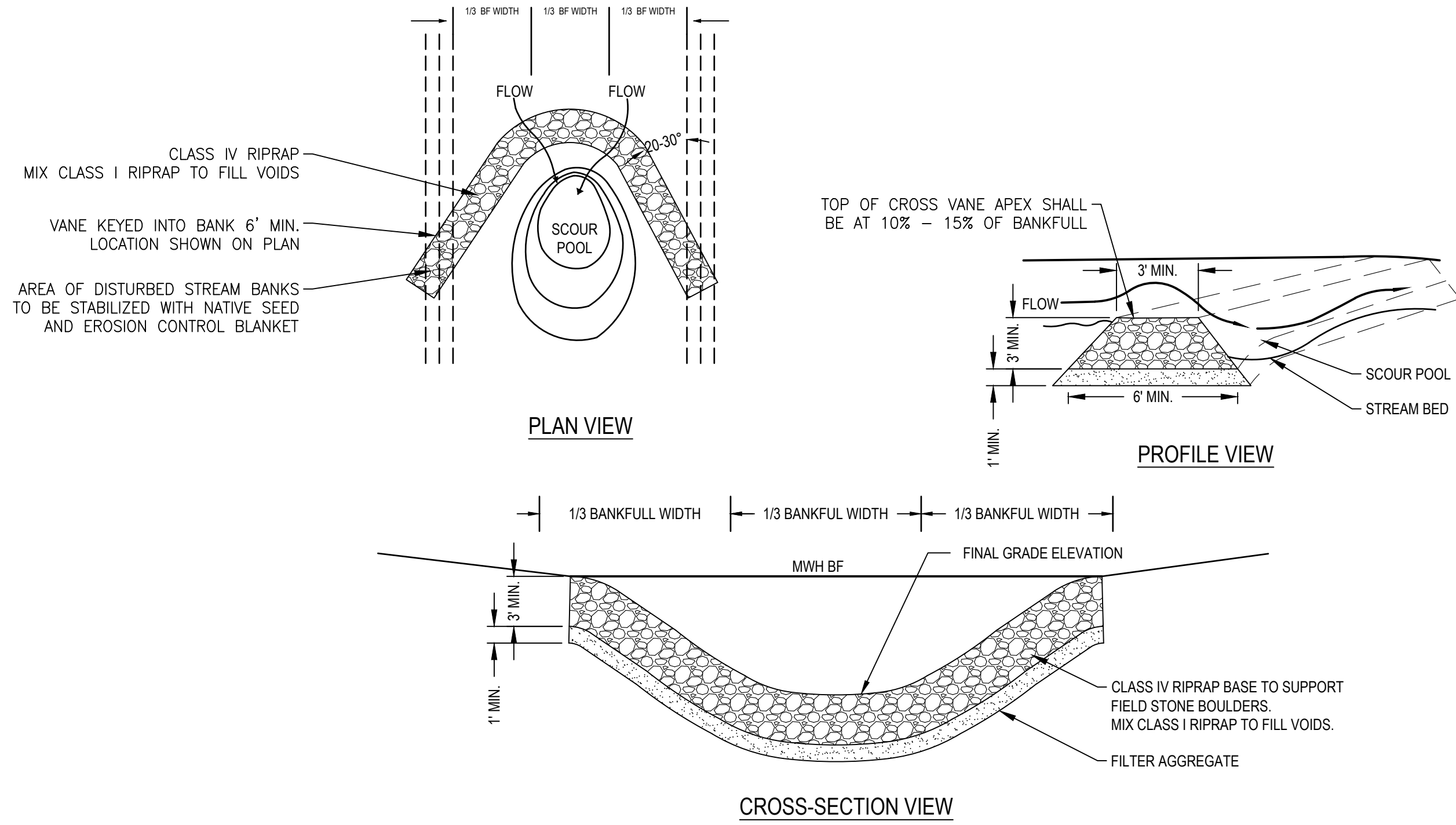


3400 PLYMOUTH BLVD
PLYMOUTH, MN 55447
PHONE: 763-509-5000
WWW.PLYMOUTHMN.COM

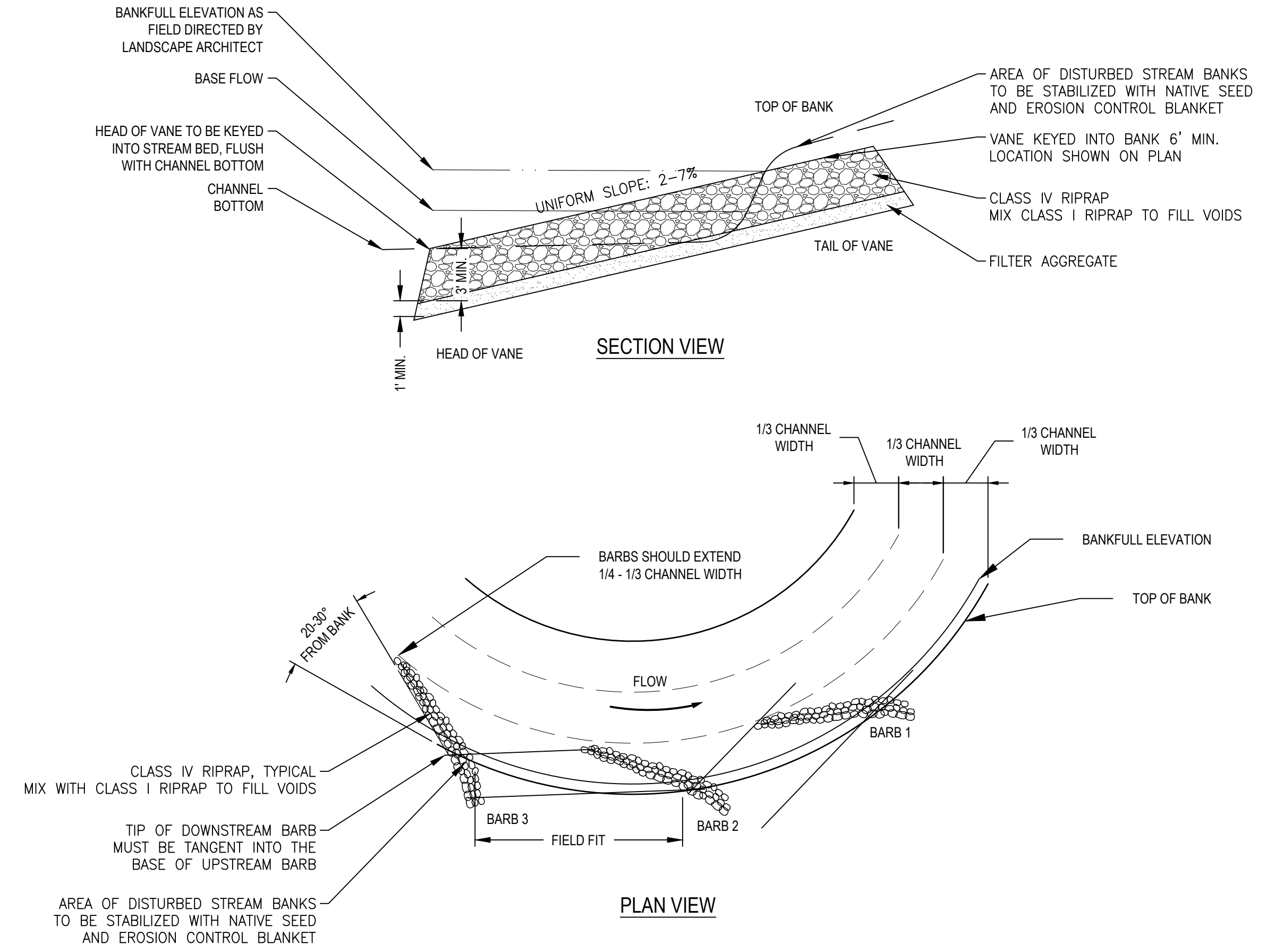
PROJECT NO.: 0017-01
DWN BY: PAG
CHKD BY: LNJ
APPD BY: LNJ
ISSUE DATE: 09/28/2022
ISSUE NO.: 2

SHEET TITLE:
DETAILS

SHEET NO.:
C-801



1 RIPRAP CROSS VANE
C-802 NOT TO SCALE



2 RIPRAP STREAM BARB
C-802 NOT TO SCALE

CERTIFICATION:
I HEREBY CERTIFY THAT THIS PLAN, SPECIFICATION, OR REPORT WAS PREPARED BY ME OR UNDER MY DIRECT SUPERVISION AND THAT I AM A DULY LICENSED PROFESSIONAL ENGINEER UNDER THE LAWS OF THE STATE OF MINNESOTA.

LICENSE NO.:
DATE:

SUB CONSULTANT:

ISSUE NO.	DESCRIPTION	DATE
1	60% PLAN SET	08/17/2022
2	90% PLAN SET	09/28/2022

PLYMOUTH CREEK REPAIR
12615 24TH AVE N & 12621 24TH AVE N
PLYMOUTH, MN 55441

CLIENT:



3400 PLYMOUTH BLVD
PLYMOUTH, MN 55447
PHONE: 763-509-5000
WWW.PLYMOUTHMN.COM

PROJECT NO.: 0017-01

DWN BY: PAG | CHKD BY: LNJ | APP'D BY: LNJ

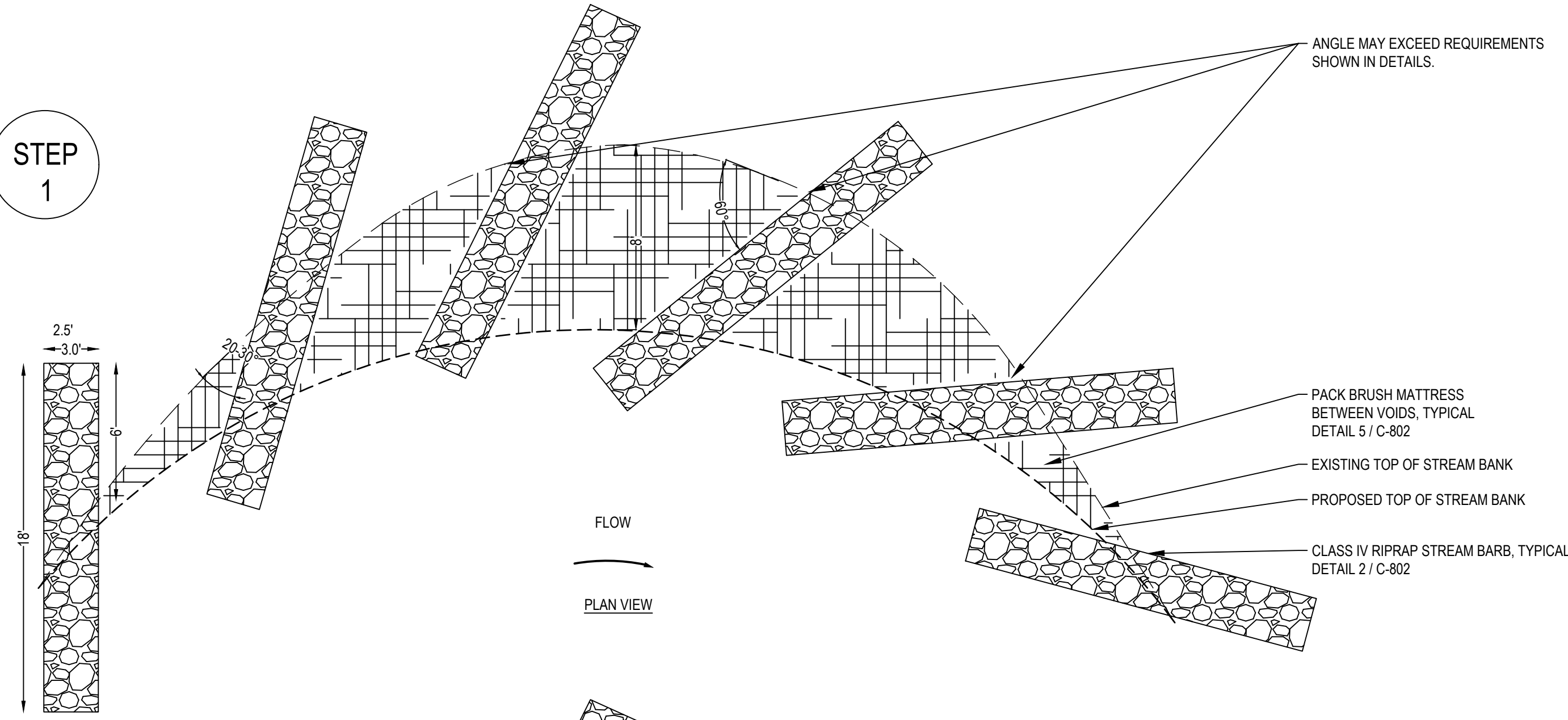
ISSUE DATE: 09/28/2022

ISSUE NO.: 2

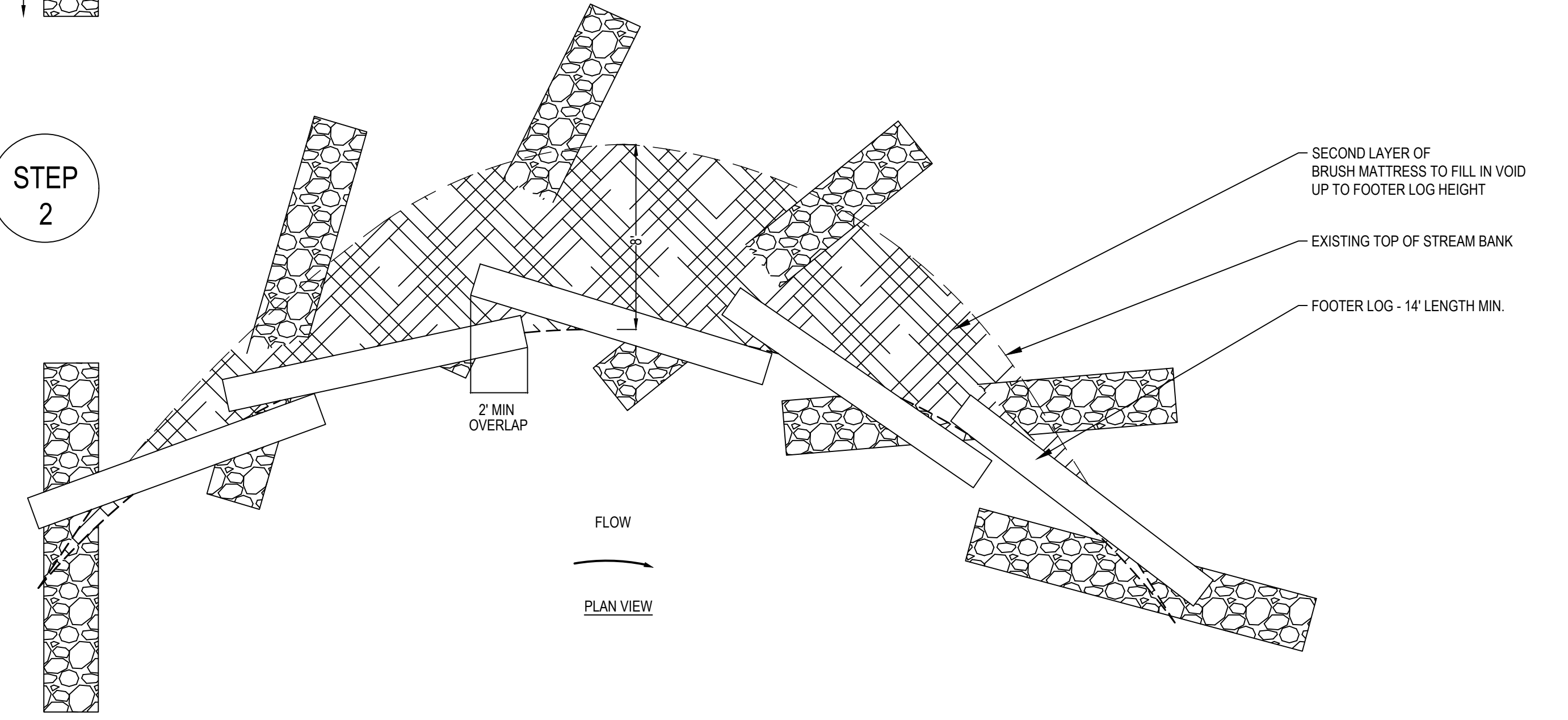
SHEET TITLE:
DETAILS

SHEET NO.:
C-802

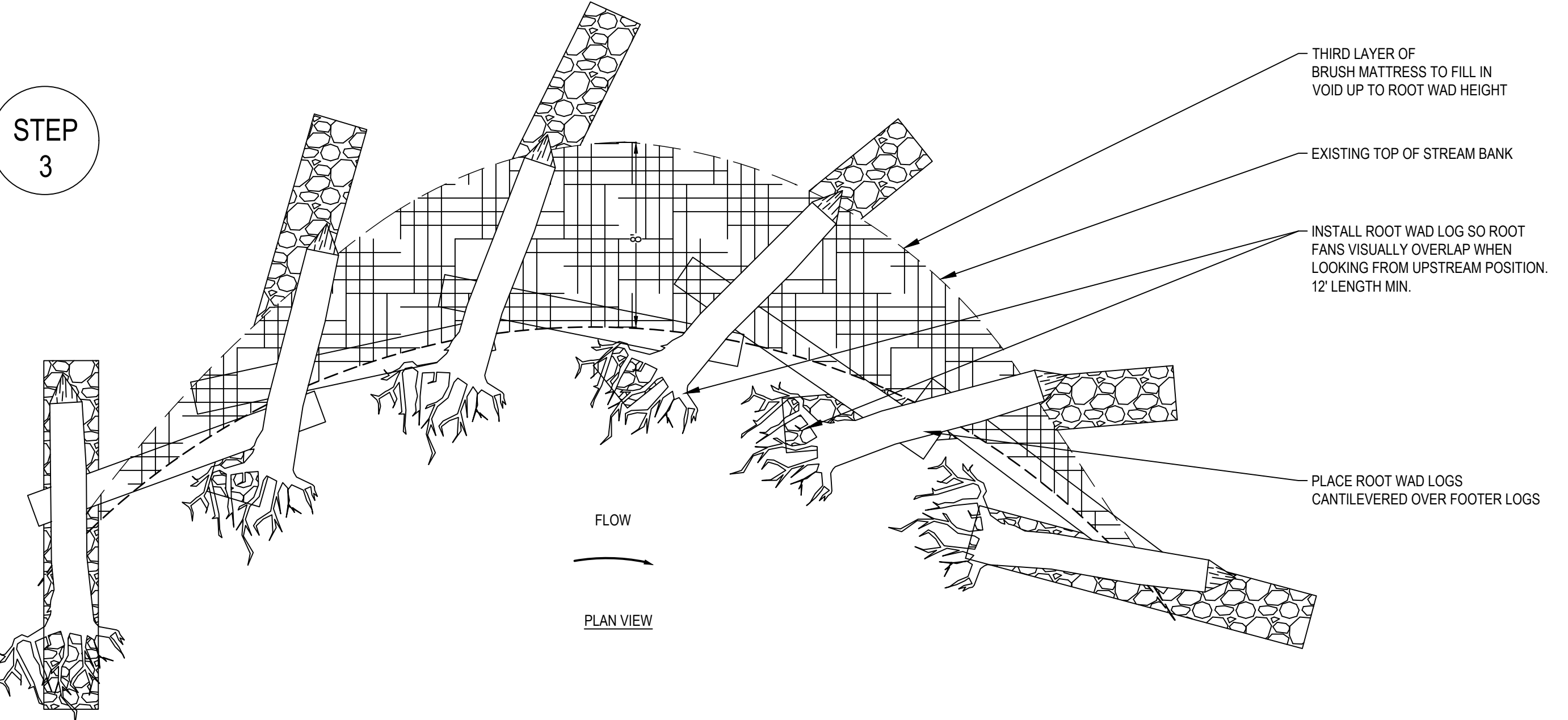
STEP 1



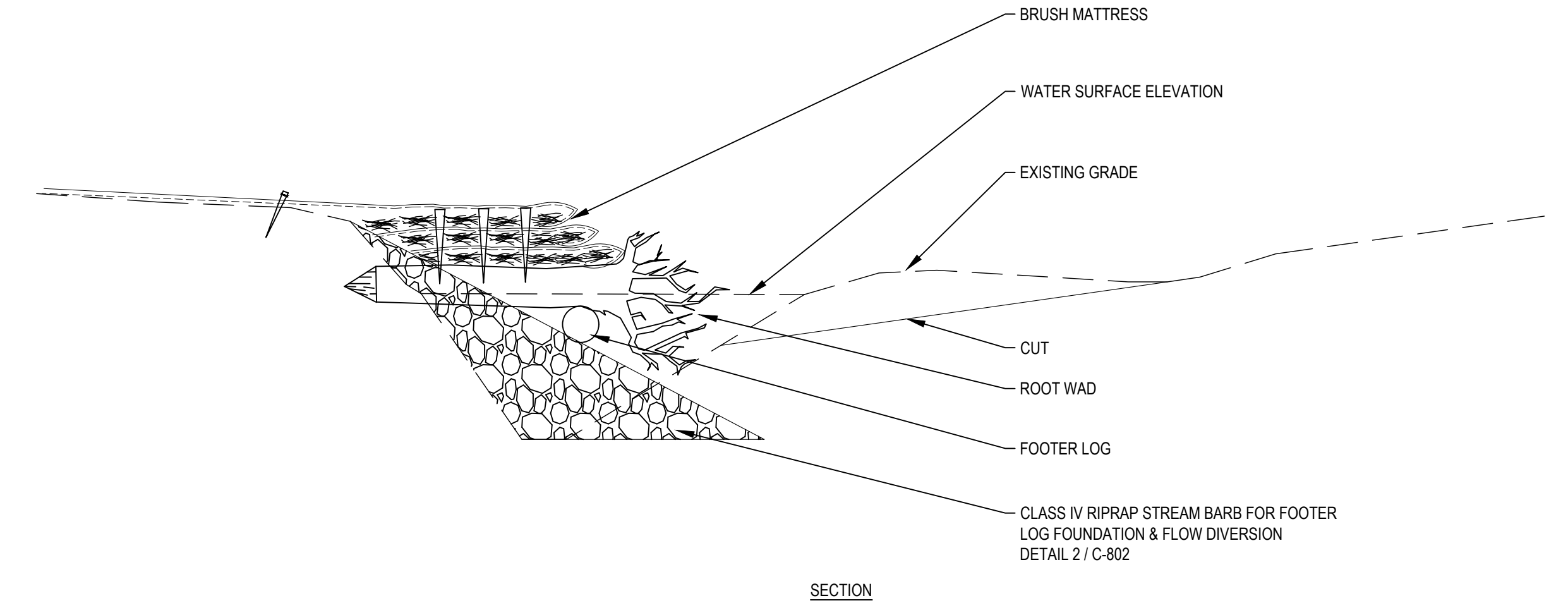
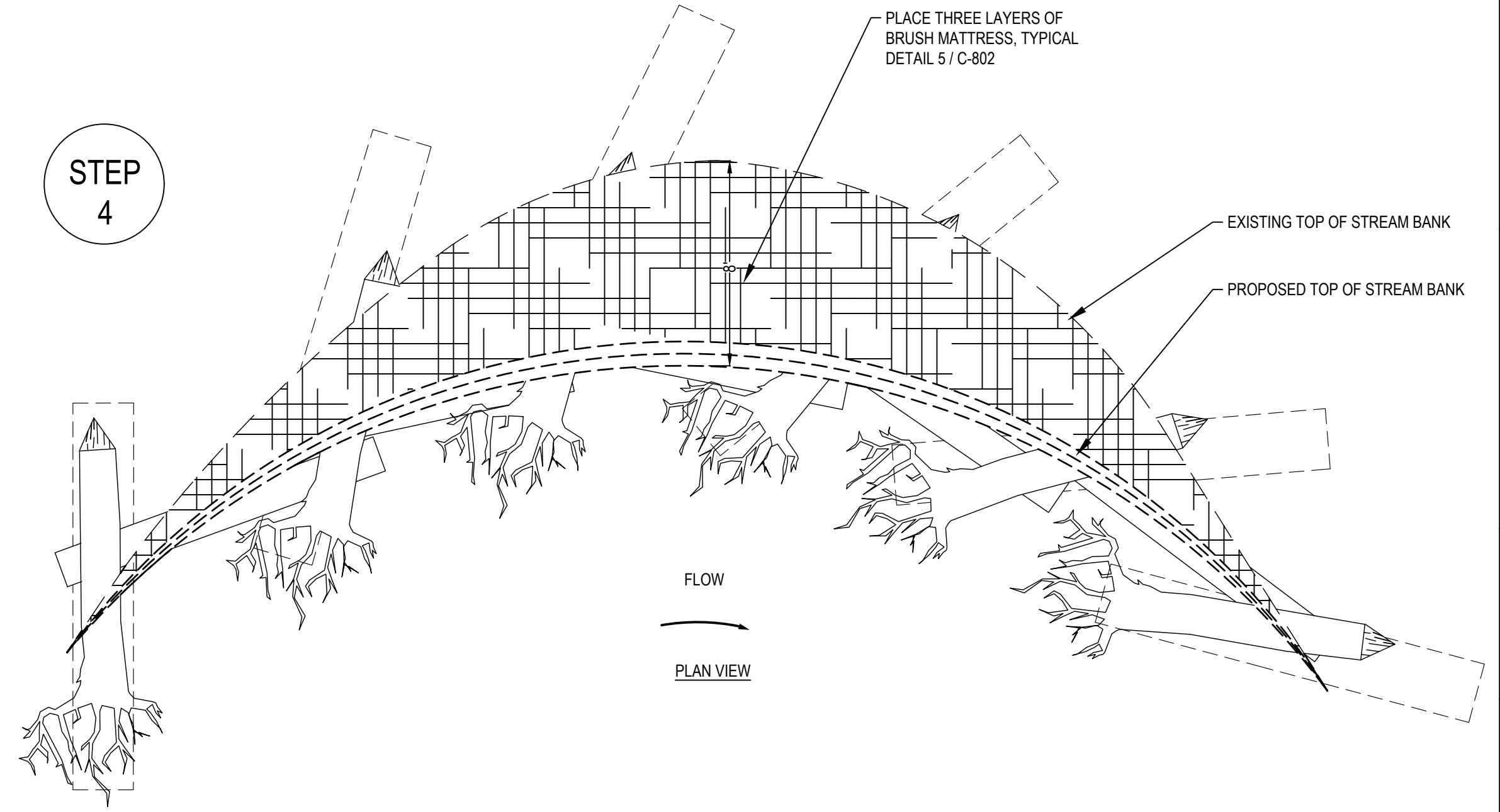
STEP 2



STEP 3



STEP 4



6 WOOD TOE CONSTRUCTION DETAILS
 C-804 NOT TO SCALE

MIDWEST WETLAND improvements
 P.O. BOX 448
 VICTORIA, MN 55386
 PHONE: (952) 261-9990
 WWW.MIDWESTWETLANDS.COM

CERTIFICATION:
 I HEREBY CERTIFY THAT THIS PLAN SPECIFICATION, OR REPORT WAS PREPARED BY ME OR UNDER MY DIRECT SUPERVISION AND THAT I AM A DULY LICENSED PROFESSIONAL ENGINEER UNDER THE LAWS OF THE STATE OF MINNESOTA.

PROJECT TITLE: **PLYMOUTH CREEK REPAIR**
 12615 24TH AVE N & 12621 24TH AVE N
 PLYMOUTH, MN 55441

CLIENT: **City of Plymouth**
 3400 PLYMOUTH BLVD
 PLYMOUTH, MN 55447
 PHONE: 763-509-5000
 WWW.PLYMOUTHMN.COM

DATE	DESCRIPTION	ISSUE NO.
08/17/2022	60% PLAN SET	1
09/28/2022	90% PLAN SET	2

PROJECT NO.: 0017-01
 DWN BY: PAG CHKD BY: LNJ APPD BY: LNJ
 ISSUE DATE: 09/28/2022
 SHEET TITLE: **DETAILS**
 SHEET NO.: **C-804**